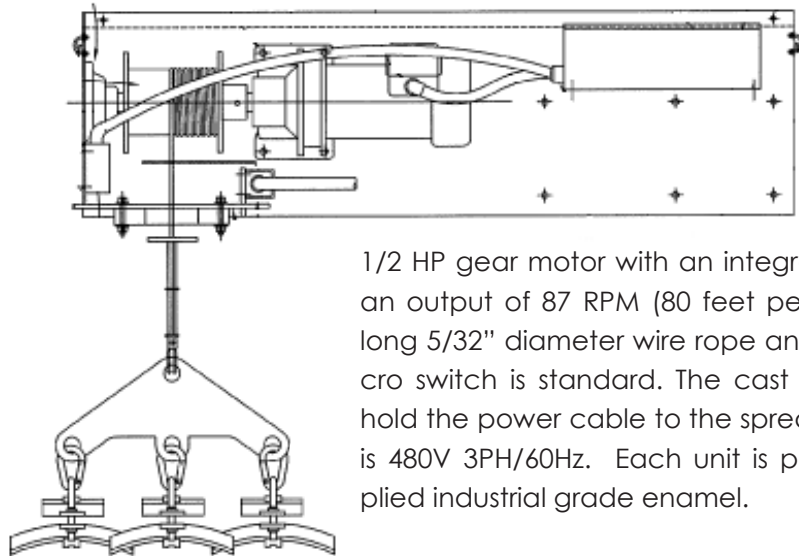




P21400 Passenger Loading Bridge Cable Hoist System

Your CONDUIT to Performance.™



The PAGE **P21400** Passenger Loading Bridge Cable Hoist system is the best solution to manage and stow aircraft ground power cable assemblies. Built of heavy duty structural steel, the housing contains 1/2 HP gear motor with an integral 3 foot lb. brake. A gear reducer provides an output of 87 RPM (80 feet per minute). The hoist cable is a 40 linear feet long 5/32" diameter wire rope and is tested to excess of 350lbs. An up limit micro switch is standard. The cast aluminum clamps are designed to securely hold the power cable to the spreader bar via snap links. Standard input power is 480V 3PH/60Hz. Each unit is primed and finished with electrostatically applied industrial grade enamel.

Each **P21400** Cable Hoist System comes with a complete set of plan drawings, specifications and maintenance manual. In addition to the system components, PAGE carries a complete line of spare parts and will provide any needed support to ensure your system stays in fully operational condition.

CABLE HOIST SYSTEM OPTIONAL KITS

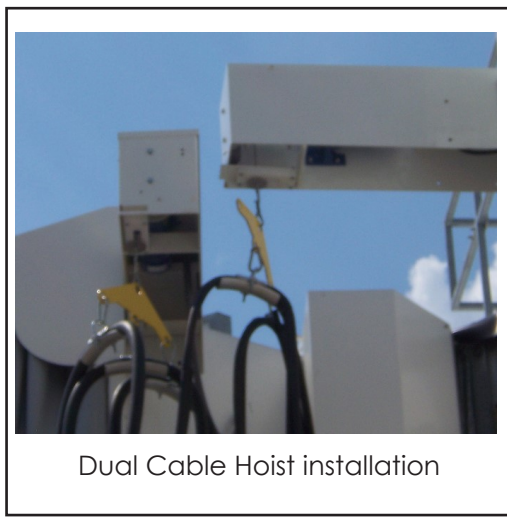
- P21415: 2 Pushbutton station for UP/DOWN for remote operation of cable hoist
- P21417: 4 Pushbutton station for UP/DOWN, ON indicator light, and 400Hz power ON/OFF
- P21461: Signal Flasher Kit with 400Hz engaged lens and audible alarm.
- P21404: Cab Side Mount Kit
- P21425: Hoist Lift Ring Kit
- P21460: Down Limit Switch
- P21402: "C" Tunnel Mount Kit
- P21403: Cab Roof Mount Kit

CABLE HOIST SYSTEM ACCESSORIES

P5859: Aluminum Power Cable Saddle



Cable Hoist components can be purchase individually or as a complete system. **Contact your PAGE Sales Representative** for details



Dual Cable Hoist installation

PAGE1028090115

Contact PAGE today for more information

WWW.PAGEINDUSTRIES.COM

TOLL FREE 1-855-465-PAGE
(1-855-465-7243)

PHONE 1-707-469-7243

FAX 1-707-469-7244

EMAIL SALES@PAGEINDUSTRIES.COM

PAGE GSE
2050 CESSNA DRIVE
VACAVILLE, CA 95688
USA

