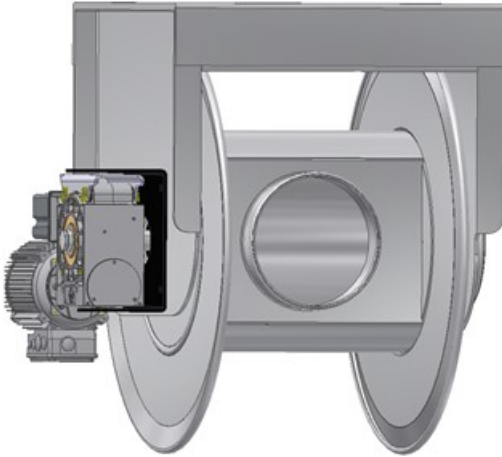




Your CONDUIT to Performance.™

Electric Direct Drive PCA Series 10 Reels



PRE-CONDITIONED AIR DUCT STORAGE SYSTEM

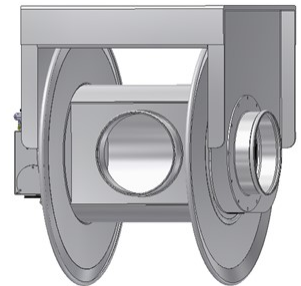
Rugged and versatile, the PAGE Electric Direct Drive PCA reels can be mounted in any a variety of configuration including wall and jib boom installation. Ideal for **military applications** where aircraft ground cooling is a necessity.

FEATURES:

- CLEARS HANGAR AND RAMP AREA
- LOW MAINTENANCE DESIGN WITH NO CHAINS OR SPROCKETS
- CAPACITY: 75' OF 8" OR 10" LAYFLAT PCA DUCT
- REDUCE DUCT DAMAGE AND REPLACEMENT COSTS
- PROMOTE GROUND SERVICE PERSONNEL SAFETY:
 - MOTORIZED DEPLOY AND RETRIEVAL OF DUCT
 - PREVENT BACK INJURY LIFTING HEAVY DUCT
- CORROSION RESISTANT HEAVY DUTY ALUMINUM CONSTRUCTION
- WELDED FRAME AND FULL FLOW AIR PLENUM SPOOL FOR HIGH PRESSURE API
- DIRECT DRIVE MOTOR WITH PRESET LIMIT SWITCH STOPS
- INCLUDES VARIABLE FREQUENCY DRIVE PUSHBUTTON CONTROLS
- CONFIGURABLE LEFT OR RIGHT HAND PAYOUT

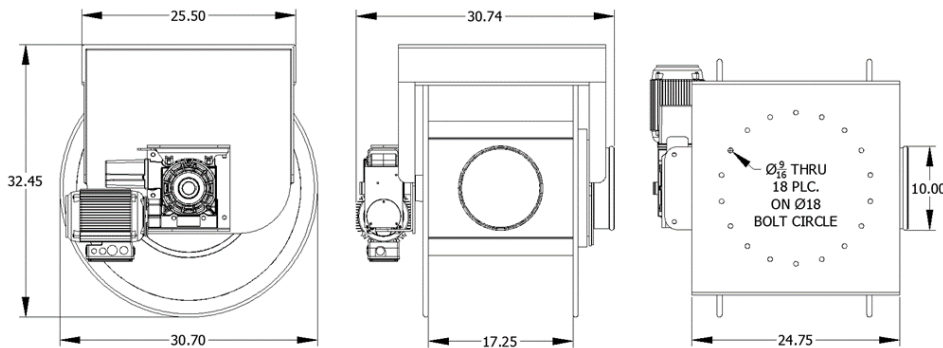
TECHNICAL SPECIFICATION:

Reel Model #	Duct Capacity	Inlet Dia.	Outlet Dia.	Drive Voltage / Frequency	Deploy Speed	Rewind Speed
PDD-321820-48060	75'	10"	10"	480VAC/60Hz	9 to 12 RPM	9 to 12 RPM
PDD-321820-40050				400VAC/50Hz		
PDD-321820-57560				575VAC/60Hz		

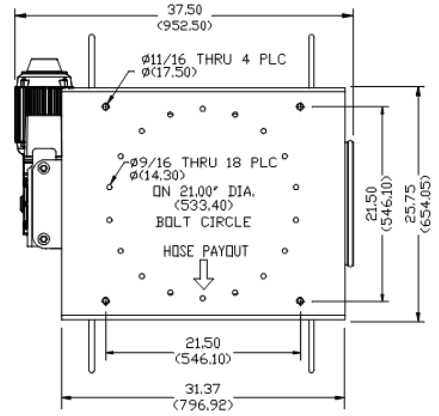
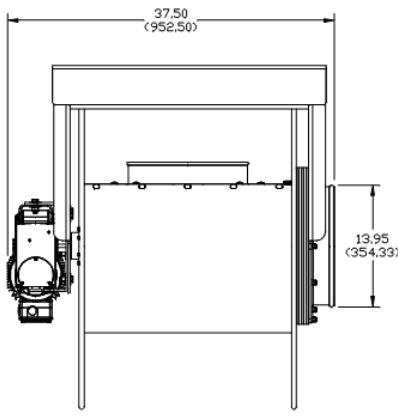
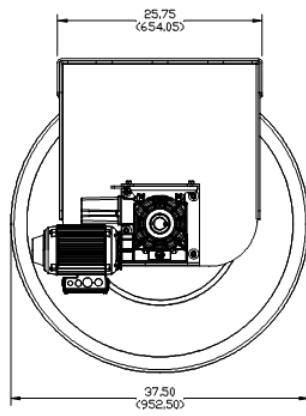


"It doesn't get any better than this"

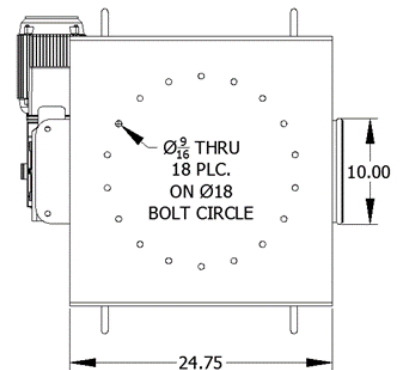
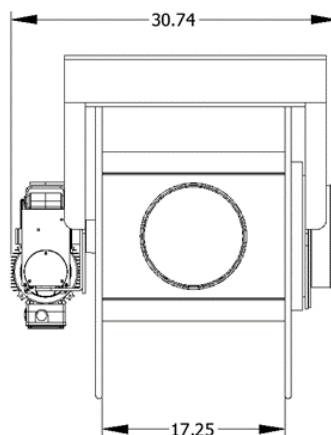
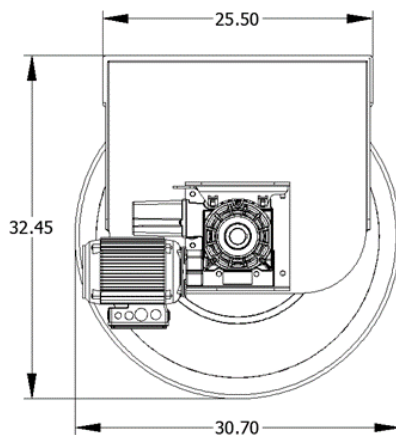
DIMENSIONAL SPECIFICATION:



PATENTED DESIGN: U.S. D666,282 OTHER PATENTS PENDING



Reel Model #	Duct Capacity	Inlet Dia.	Outlet Dia.	Drive Voltage / Frequency	Deploy Speed	Rewind Speed
PDD-382420-48060	100'	14"	14"	480VAC/60Hz	9 to 12 RPM	9 to 12 RPM
PDD-382420-40050				400VAC/50Hz		
PDD-382420-57560				575VAC/60Hz		



Reel Model #	Duct Capacity	Inlet Dia.	Outlet Dia.	Drive Voltage / Frequency	Deploy Speed	Rewind Speed
PDD-321820-48060	75'	10"	10"	480VAC/60Hz	9 to 12 RPM	9 to 12 RPM
PDD-321820-40050				400VAC/50Hz		
PDD-321820-57560				575VAC/60Hz		

WWW.PAGEINDUSTRIES.COM

TOLL FREE 1-855-465-PAGE
(1-855-465-7243)

PHONE 1-707-469-7243

FAX 1-707-469-7244

EMAIL SALES@PAGEINDUSTRIES.COM

PAGE CSE

2050 CESSNA DRIVE
VACAVILLE, CA 95688
USA

